

Please find attached a diagram and list of parts which I have compiled of the bearing and seals which I had to replace on my '96 Raid. I got the non-Yam bearings from The Bearing Shop, and the Yam parts from Terry Silvester Motorcycles Holmfirth. The Bearing Shop were very helpful. Regards. Kevin Baker. April 2004

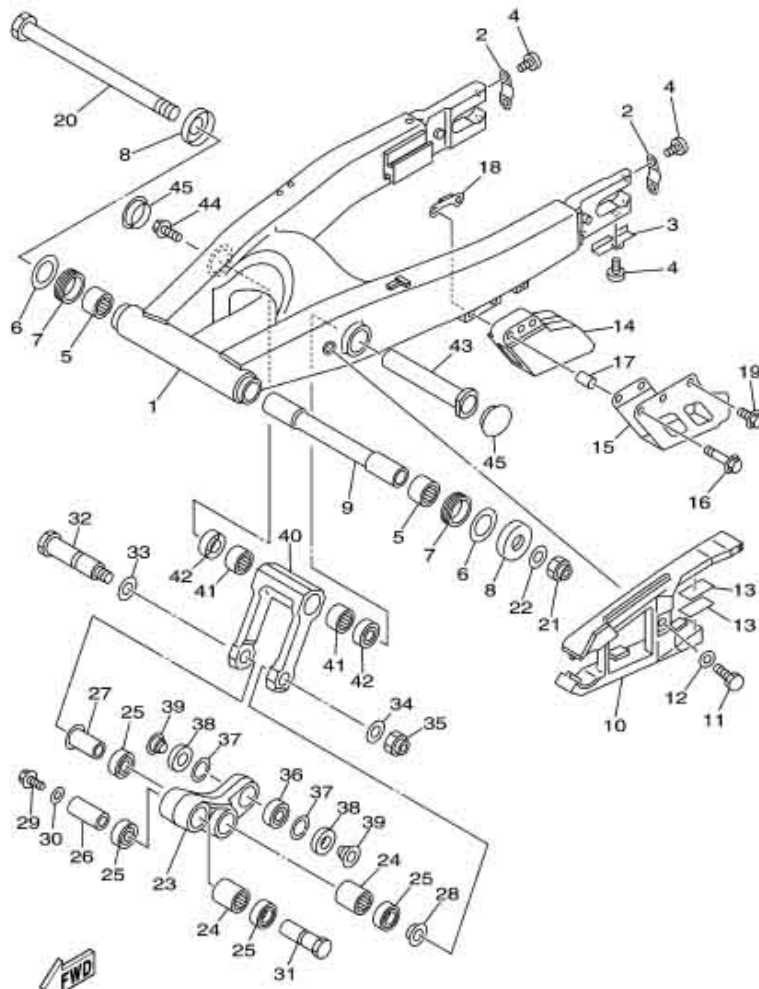


Diagram No.	Part No. on diagram	Description	Yamaha part No.	Yamaha price exc. VAT	Non Yamaha part No.	Non Yamaha price exc. VAT
1	5	Bearing	93315-22251-00	£12.92	NTN HK2220C	£4.75
1	7	Seal	93108-35004-00	£2.16		
1	8	Cover	30X-2219X-00-00	£2.18		
1	9	Bush	29L-22184-00-00	£19.19		
1	43	Bolt	90179-12666-00	£23.39		
2	24	Bearing	93315-32053-00	£12.76	NTN TA2025Z	£9.10
2	25 & 42	Seal	93109-20076-00	£1.95	20 x 27 x 5 R23	£2.50
2	26	Collar	90387-166X1-00	£6.63		
2	27	Collar	90387-1606R-00	£9.22		
2	28	Collar	90387-164N2-00	£7.02		
2	36	Bearing	93399-99935-00	£34.50		
2	38	Seal	3XJ-22475-00-00	£2.03		
2	41	Bearing	93315-32052-00	£12.22	NTN TA2015	£9.00